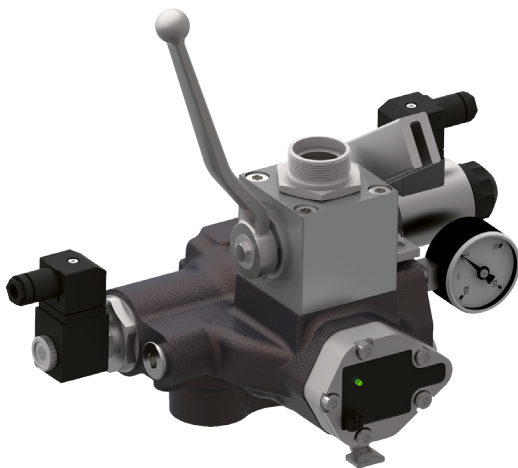
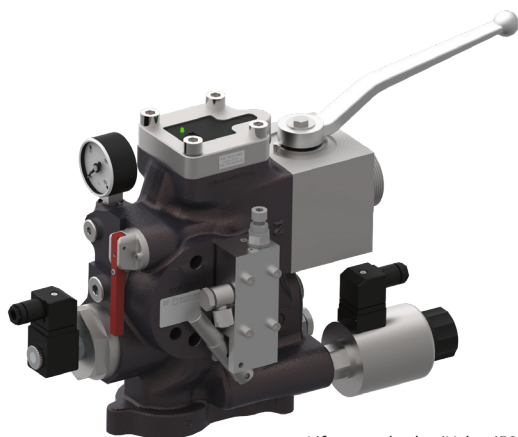


Maximum ride comfort
with no installation effort

iValve – Reduce the Costs Intelligently



Lift control valve iValve-i250



Lift control valve iValve-i500

Save up to 70 % installation time

- No more settings of hydraulic parameters required
- The self-teaching algorithm „iTeach“ provides the shortest travel curve autonomously

Save up to 30 % energy

- Continuous short travel curve, independent of load and temperature
- In many cases no oil cooling is necessary

Improve safety & enjoy comfort

- Always an accurate positioning of ± 3 mm, to prevent trip hazard
- The self-monitoring function guarantees fully integrated A3 compliance
- Smooth acceleration and deceleration, first class ride quality

Intelligently implemented:

- Safety valve A3
- Hand pump / emergency lowering
- Ball valve
- Two configurable switching outputs
- Data logger function and firmware update via USB host interface
- Status information with date/time

Intelligent accessory:

- Open controller „iCon-2“
- Memory card „ParamCard“
- Functions can be expanded (options board)
- Power supply (optional)

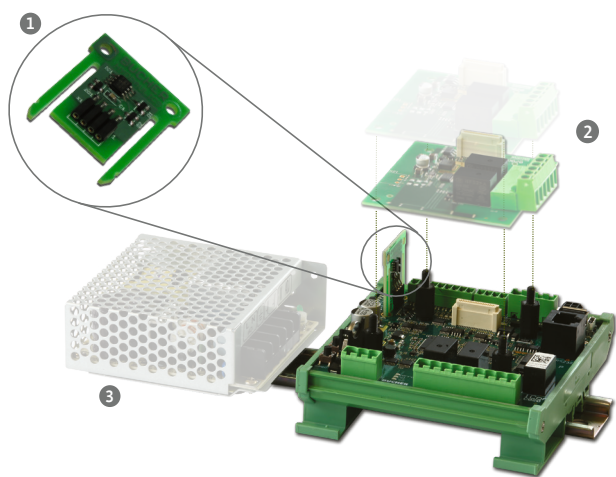
Technical Data

iValve Type	Flow Rate Max. l/min	Op. Pressure Max. bar	Connection (P, T) pump / tank	Connection (Z) cylinder	Width mm	Depth mm	Hight mm	Weight kg
i250	250	80	G1	28 L	313	178	313	10.4
i500	500	80	G 1 ½	42 L	490	142	288	22.5

Temperature: 0 – 70 °C • Viscosity: 20 – 500 cSt • Pressure medium: acc. oil recommendation list

Intelligent accessory

Controller iCon-2 and ParamCard



1. All layout data are saved on the ParamCard: iValve and iCon-2 are independent of the installation and convertible.

2. An arbitrary number of option platines (interface) can be set on the basis platine: The system is open for any kind of interfaces and technologies that exist now and in future.

3. The controller iCon-2 (and its optional power supply) can easily be mounted on a EN rail.

Technical Data

Dimensions	122 x 112 x 63 mm
Supply voltage	24VDC ± 10%
Input power in operation	max. 50W
Input power in stand	max. 3W
Command input	potential free contacts or 0 resp. 24VDC
EMV Standard	EN 12015, EN 12016
Temperature	0°C - 70°C
Max. relative air humidity	90%
Protection class	IP 00

Relay Contacts

Current	min. 10mA / max. 3A
Voltage	max. 250VAC / 30VDC